

Business of Higher Education

Excellence in Leadership Program

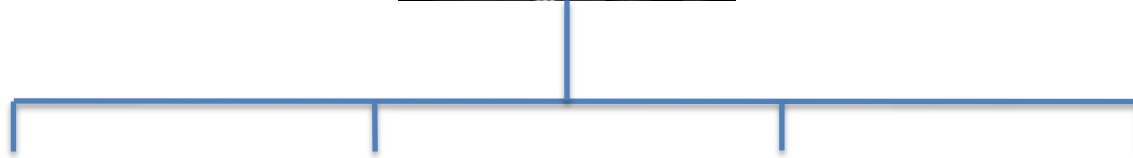
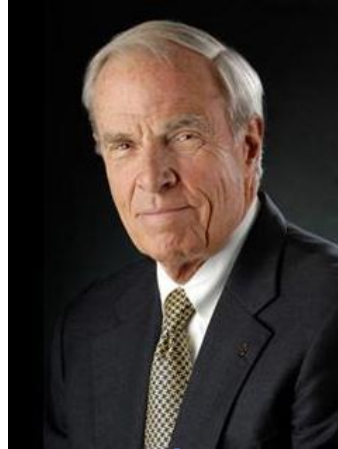
September 18, 2015



University of Colorado

Boulder | Colorado Springs | Denver | Anschutz Medical Campus

University of Colorado



Boulder



Colorado Springs



Denver

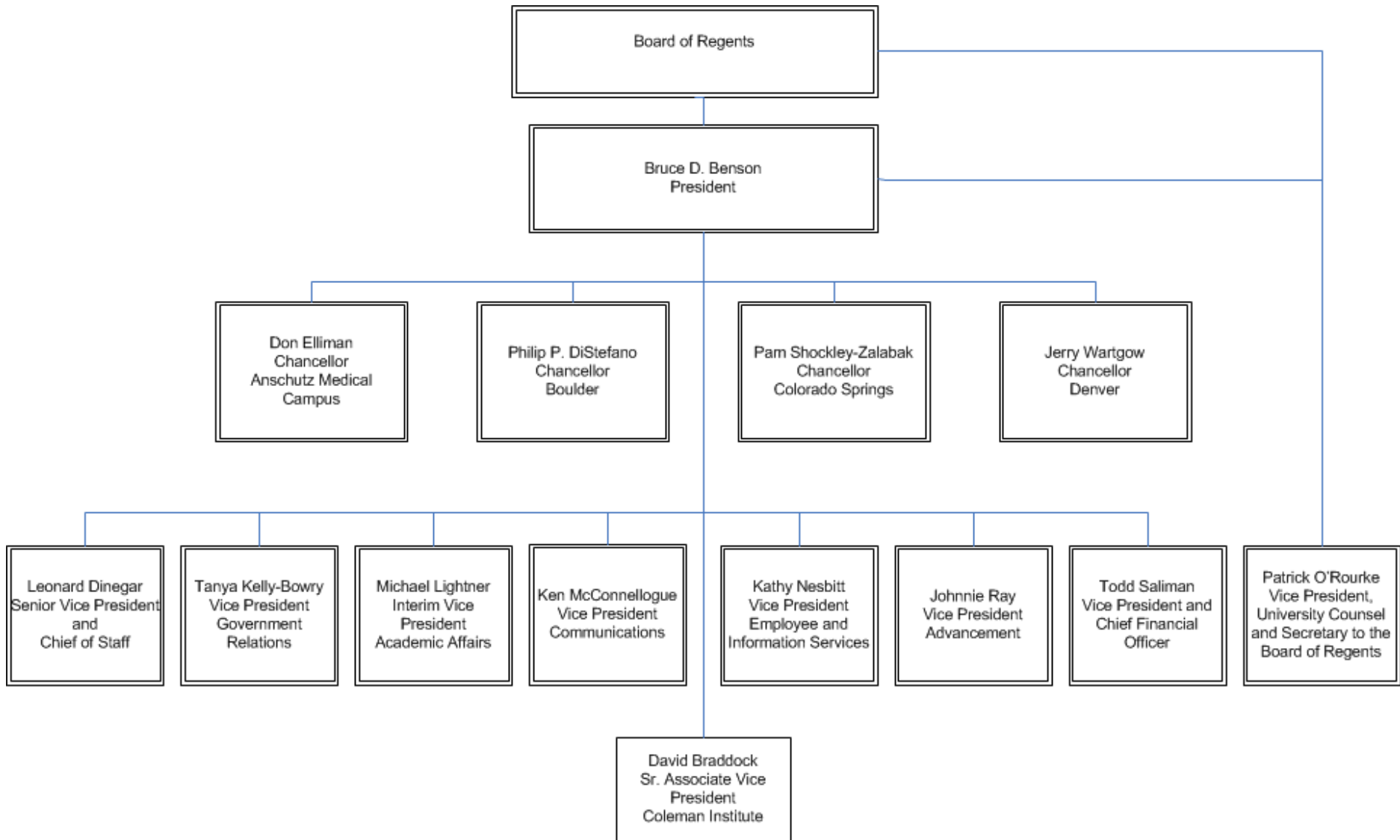


Anschutz Medical Campus



University of Colorado

Boulder | Colorado Springs | Denver | Anschutz Medical Campus



University of Colorado

Boulder | Colorado Springs | Denver | Anschutz Medical Campus

OFFICE OF THE PRESIDENT

OFFICE OF POLICY AND EFFICIENCY



Leonard Dinegar
Senior Vice President and
Chief of Staff



University of Colorado

Boulder | Colorado Springs | Denver | Anschutz Medical Campus

ACADEMIC AFFAIRS

DIVERSITY AND P-20 INITIATIVES

EMBA



Michael Lightner
Interim Vice President
Academic Affairs



University of Colorado

Boulder | Colorado Springs | Denver | Anschutz Medical Campus

UNIVERSITY RELATIONS

CU ADVOCACY



Ken McConnellogue
Vice President for
Communications



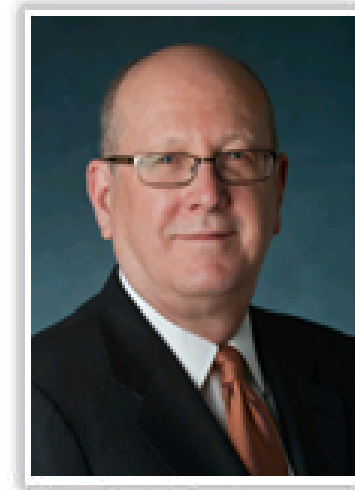
University of Colorado

Boulder | Colorado Springs | Denver | Anschutz Medical Campus

FUNDRAISING OPERATIONS

DONOR RELATIONS

PLANNED GIVING



Johnnie Ray
Vice President
Advancement



University of Colorado

Boulder | Colorado Springs | Denver | Anschutz Medical Campus

PROCUREMENT SERVICE CENTER



Todd Saliman

**Vice President and
Chief Financial Officer**

UNIVERSITY TREASURER

RISK MANAGEMENT

BUDGET AND FINANCE

UNIVERSITY CONTROLLER



University of Colorado

Boulder | Colorado Springs | Denver | Anschutz Medical Campus

STATE RELATIONS

FEDERAL RELATIONS



Tanya Kelly-Bowry
Vice President for Government Relations



University of Colorado

Boulder | Colorado Springs | Denver | Anschutz Medical Campus

EMPLOYEE SERVICES

UNIVERSITY INFORMATION SYSTEMS

IT SECURITY OFFICE

CU HEALTH PLAN



Kathy Nesbitt
Vice President
Employee and Information Services



University of Colorado

Boulder | Colorado Springs | Denver | Anschutz Medical Campus

**TECHNOLOGY TRANSFER
LITIGATION UNIVERSITY COUNSEL
OFFICE OF THE BOARD OF REGENTS**



Patrick O'Rourke

**Vice President, University Counsel and
Secretary to the Board of Regents**



University of Colorado

Boulder | Colorado Springs | Denver | Anschutz Medical Campus

**Departments reporting directly to the
Board of Regents or President Benson:**

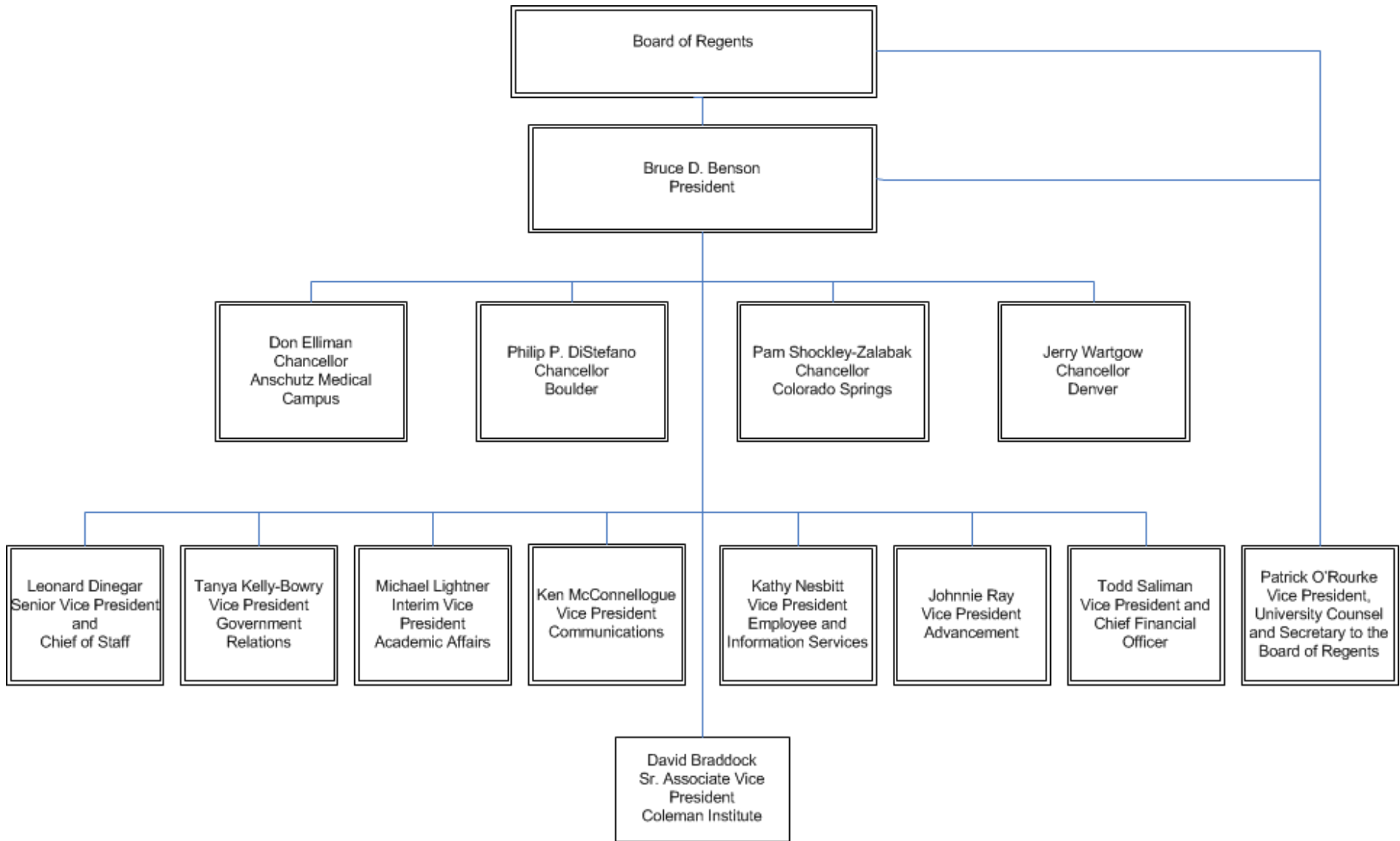
INTERNAL AUDIT

COLEMAN INSTITUTE



University of Colorado

Boulder | Colorado Springs | Denver | Anschutz Medical Campus



Let's talk technology!

Enterprise IT represents systems that cross one or more campuses

University Information Systems (UIS) does not duplicate campus IT functions

UIS has approximately 100 full time employees

The UIS employees support the following. . .



University of Colorado

Boulder | Colorado Springs | Denver | Anschutz Medical Campus

Infrastructure (databases, servers, system administrators, etc.)



University of Colorado

Boulder | Colorado Springs | Denver | Anschutz Medical Campus

**Over 50,000
W-2's
processed this
year**

**\$60 million grant
payments
processed every
month**

**\$878 Million
Dollars in
Sponsored
Research
Awards**

**\$872 Million
Dollars in
Revenue**

*Oracle/
Peoplesoft*

**Human
Resources
Management
System**

*Oracle/
Peoplesoft*

Finance

InfoEd

**Electronic
Research
Administration
(ERA)**

*Oracle/
Peoplesoft*

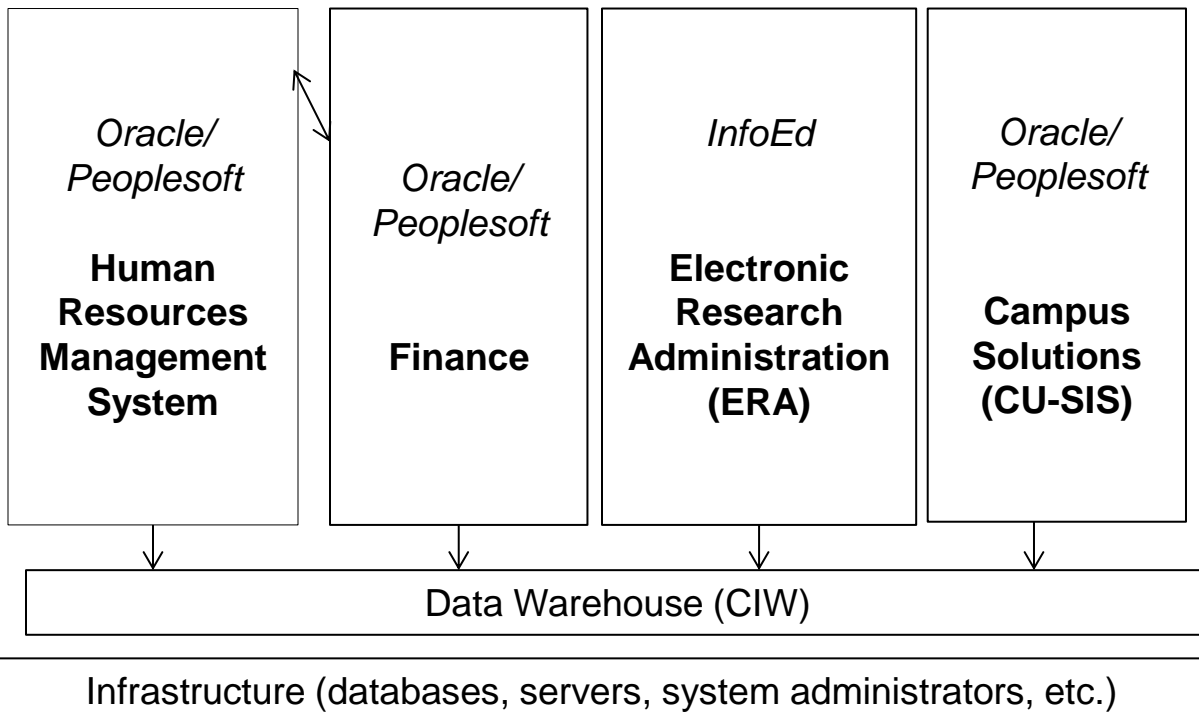
**Campus
Solutions
(CU-SIS)**

Infrastructure (databases, servers, system administrators, etc.)



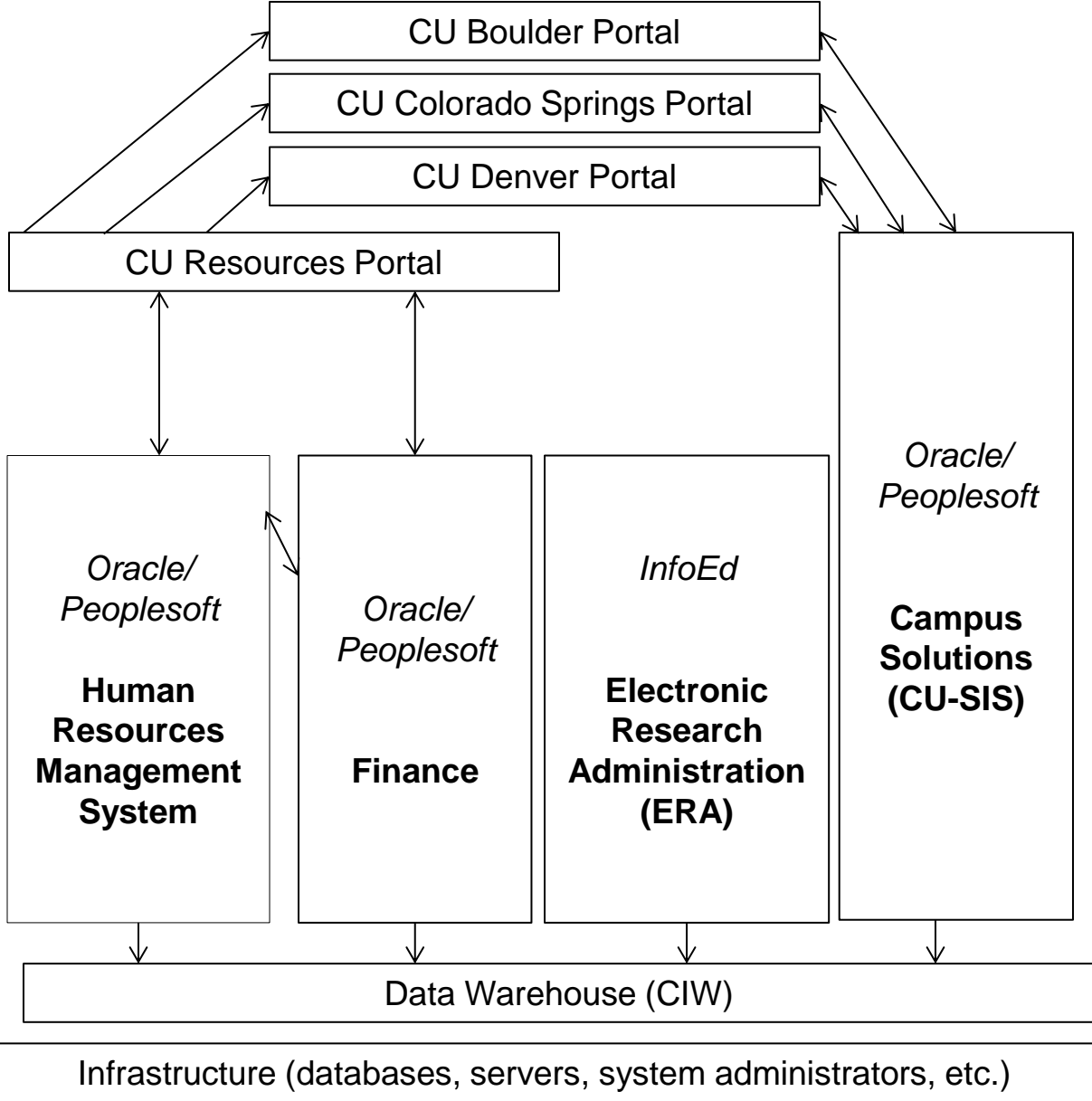
University of Colorado

Boulder | Colorado Springs | Denver | Anschutz Medical Campus



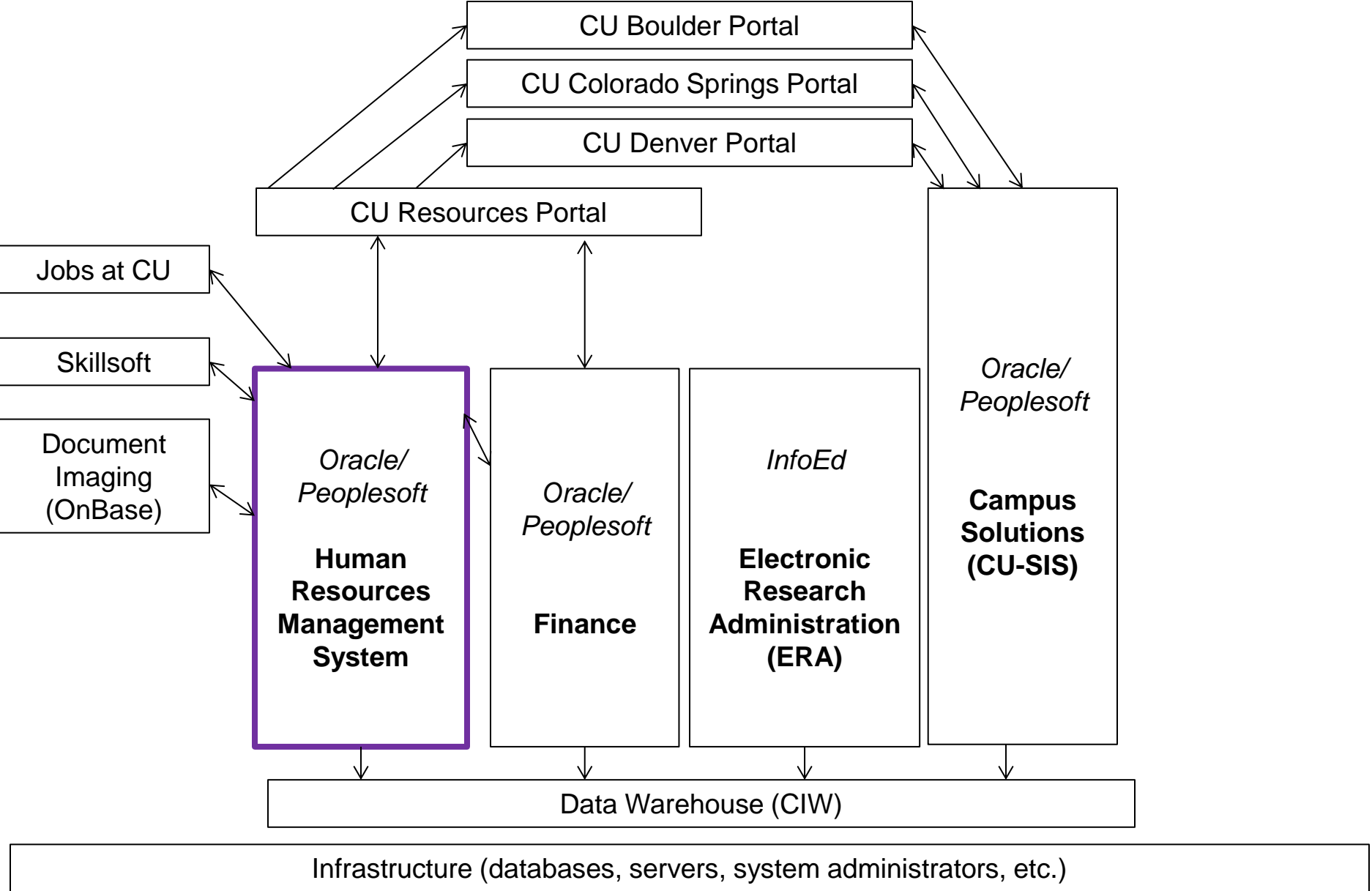
University of Colorado

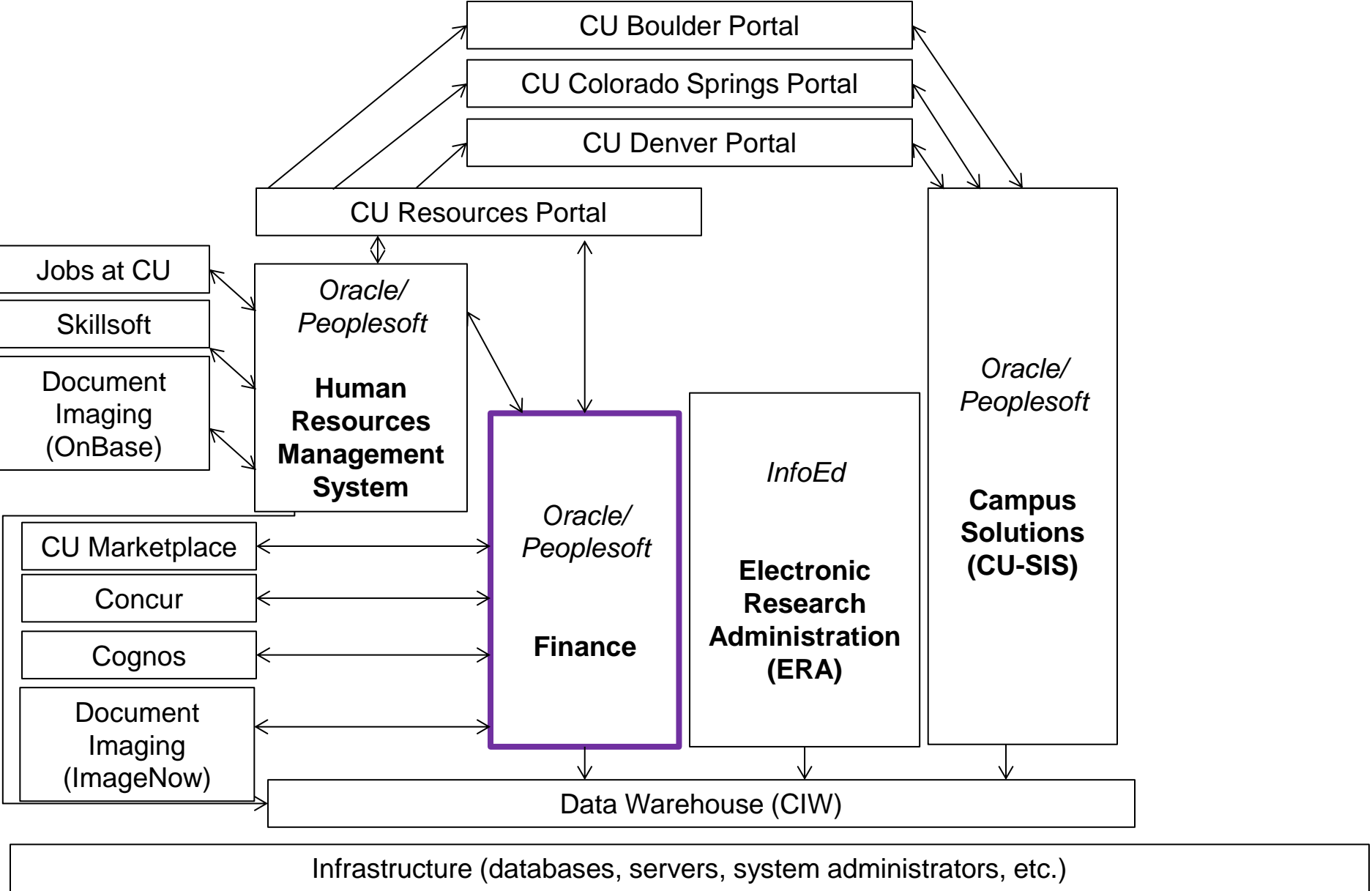
Boulder | Colorado Springs | Denver | Anschutz Medical Campus

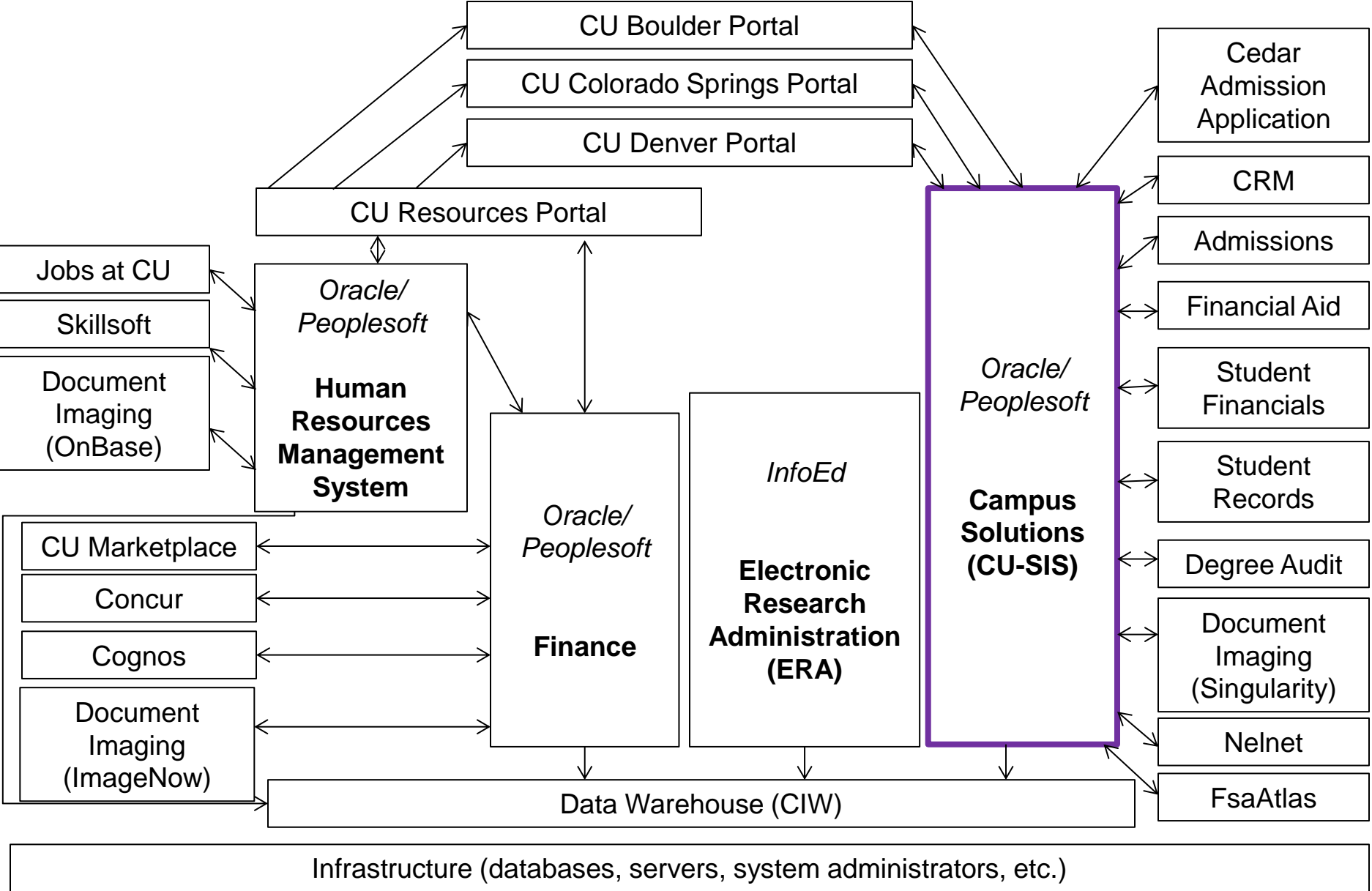


University of Colorado

Boulder | Colorado Springs | Denver | Anschutz Medical Campus







Questions and Answers with Leadership

Patrick O'Rourke

Vice President, University Counsel
and
Secretary to the Board of Regents

Kathy Nesbitt

Vice President
Employee and Information
Services

Geoff Barsch

Sr. Associate Vice President
Business Operations



University of Colorado

Boulder | Colorado Springs | Denver | Anschutz Medical Campus

Break

Reconvene at 12:15



University of Colorado

Boulder | Colorado Springs | Denver | Anschutz Medical Campus